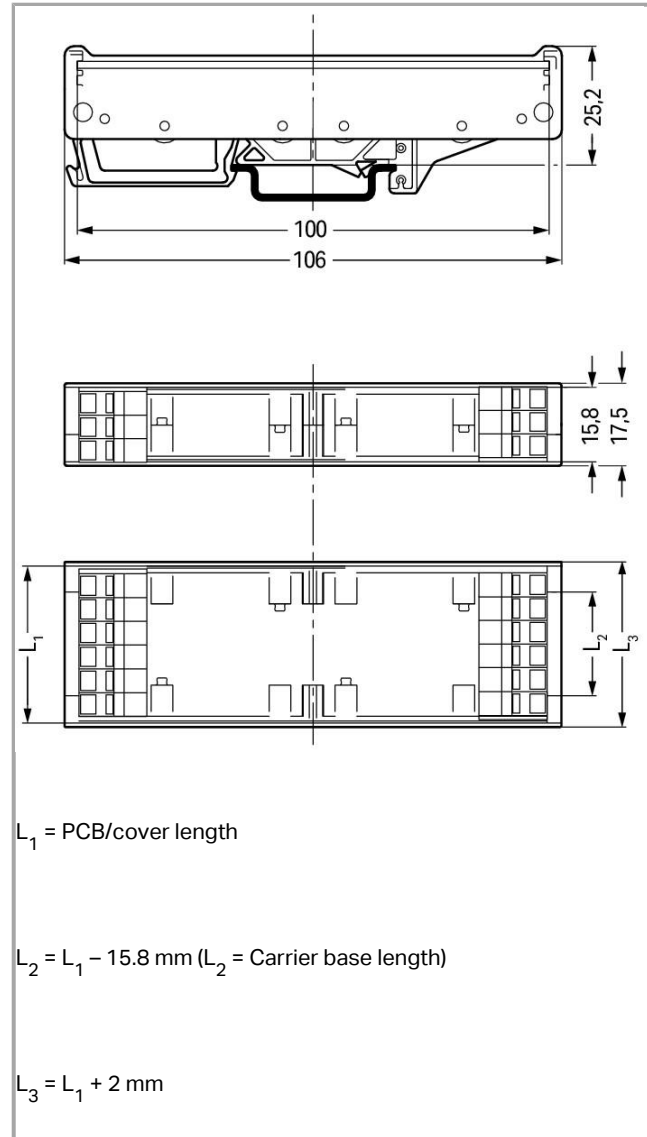
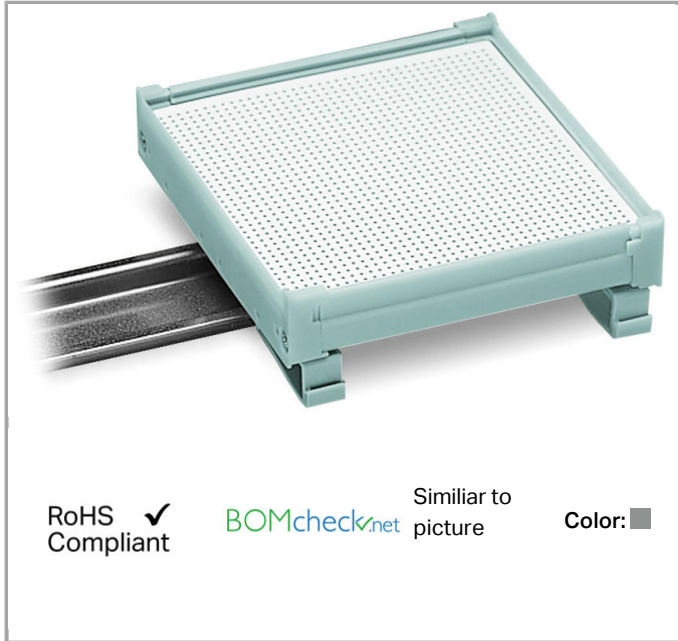


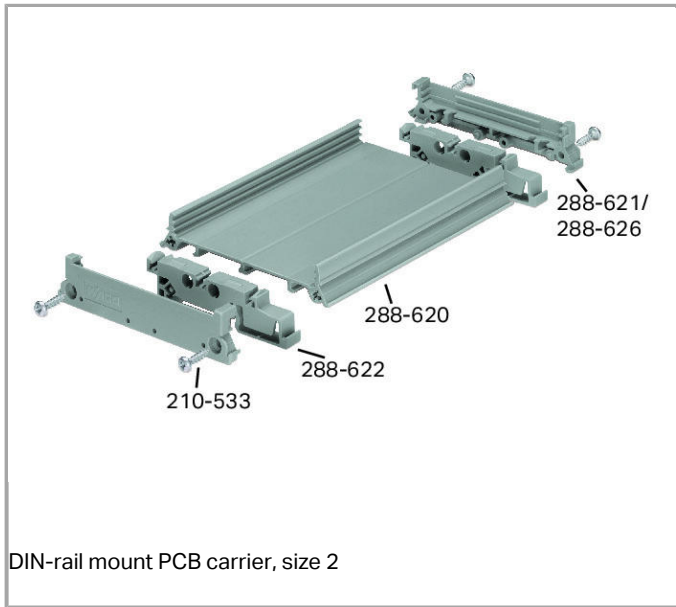
Data sheet | Item number: 288-621

Lateral cover; Size 2; small; 8.75 mm thick



288-621





### Item description

DIN-rail mount PCB carrier, size 2 – lateral cover, size 2; small; 8.75 mm thick

### Data

#### Geometrical Data

Width	8.75 mm / 0.344 inch
Depth	106 mm / 4.173 inch

#### Mechanical data

Type of mounting	DIN-35 rail
------------------	-------------

#### Material Data




Color	gray
Fire load	0.159 MJ
Weight	5.2 g

#### Commercial data

Product Group	6 (Interface Electronics)
Country of origin	DE
GTIN	4017332639453
Customs Tariff No.	85472000900

## Compatible products

### General accessories

	<b>Item no.: 210-533</b> Phillips screw 2.9 x 13		210-533
	<b>Item no.: 288-620</b> Track section; Size 2; 1 m long		288-620
	<b>Item no.: 288-620/024-000</b> Track section; Size 2	/024-000	288-620

## Downloads

### Documentation

#### Additional Information

Disposal; Electrical and electronic equipment, Packaging	V 1.0.0	pdf 265.8 kB	Download
--	---------	-----------------	----------

## CAD/CAE - Smart Data

### CAD data

3D Download 288-621	URL	Download
---------------------	-----	----------

Subject to changes.